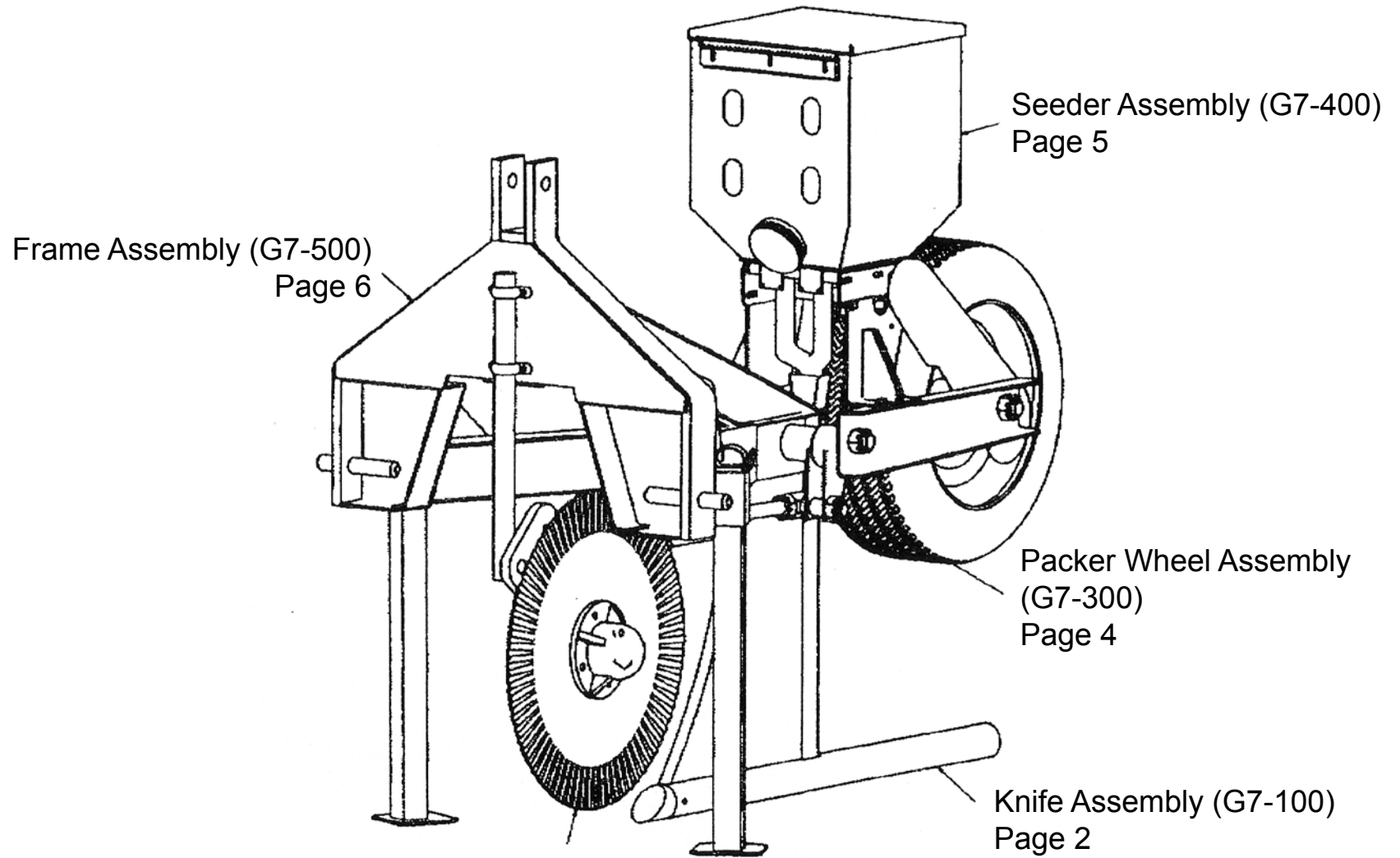
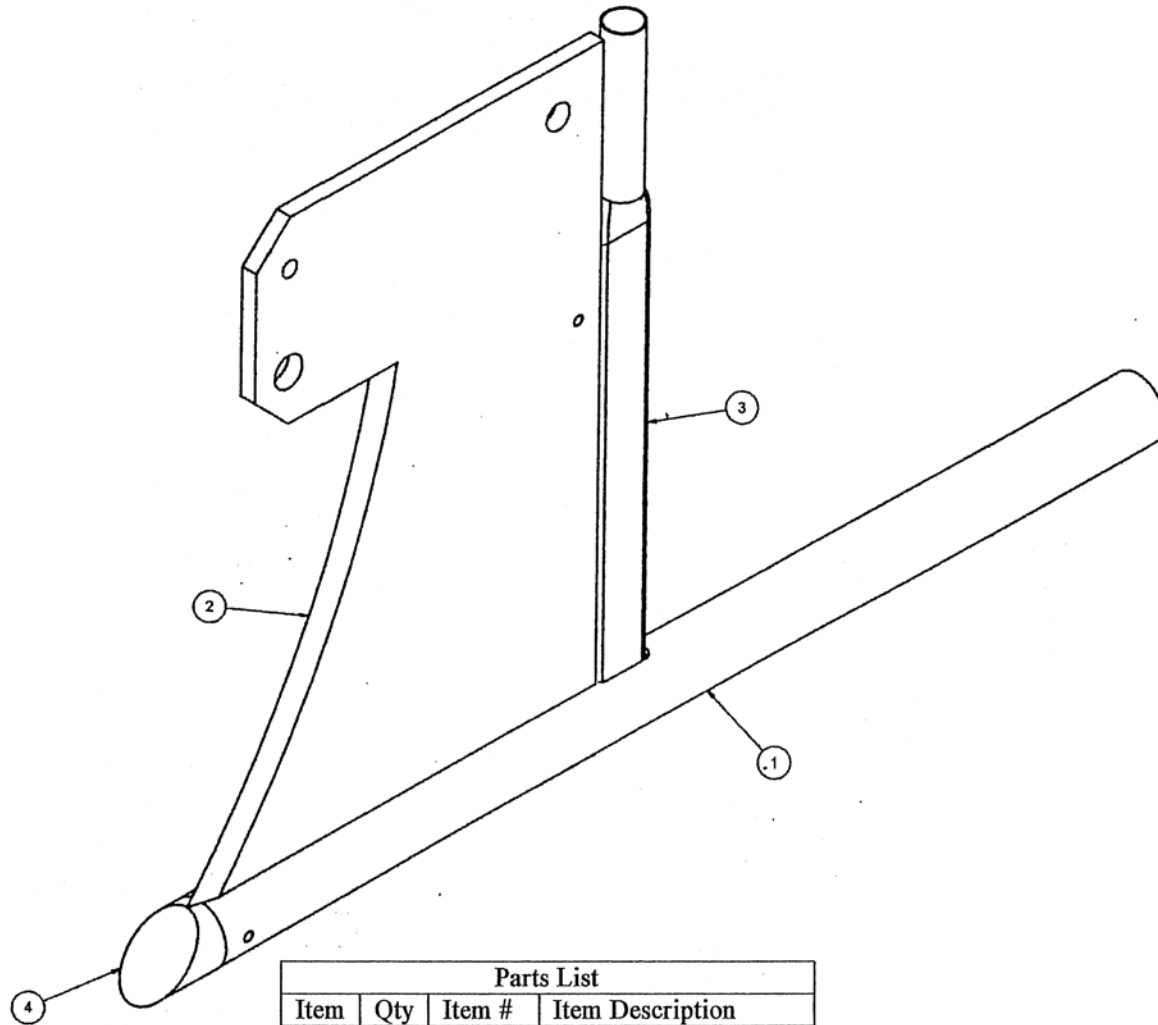


Parts List for GA-700 Gopher Getter

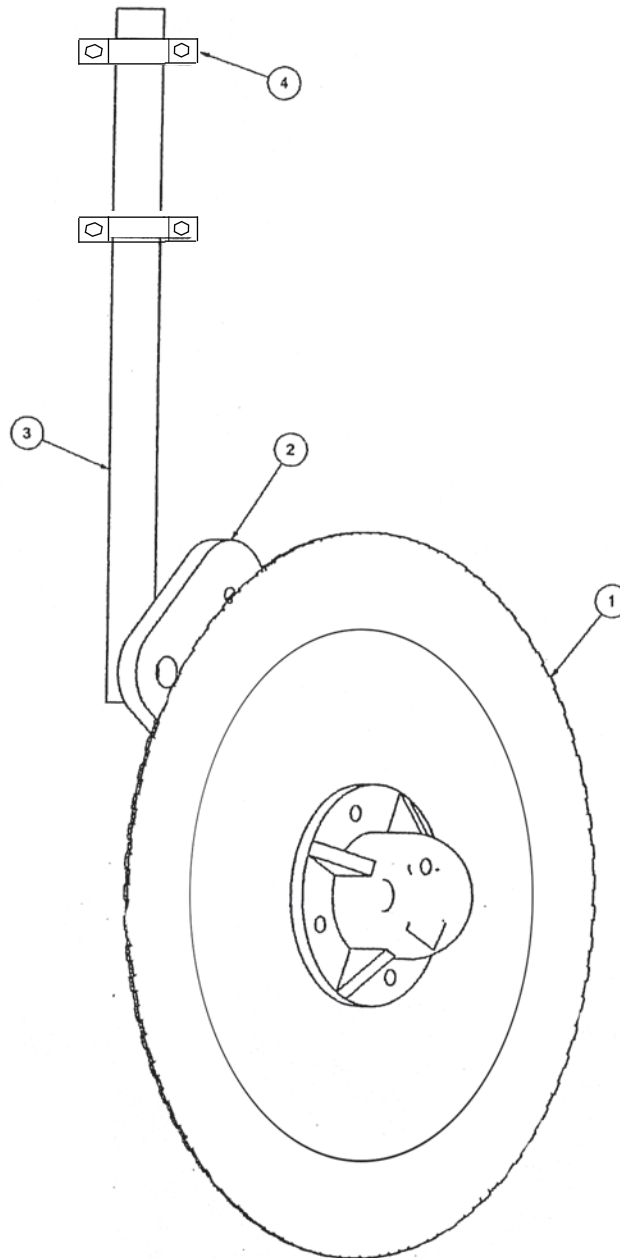


G7-100 Knife Assembly



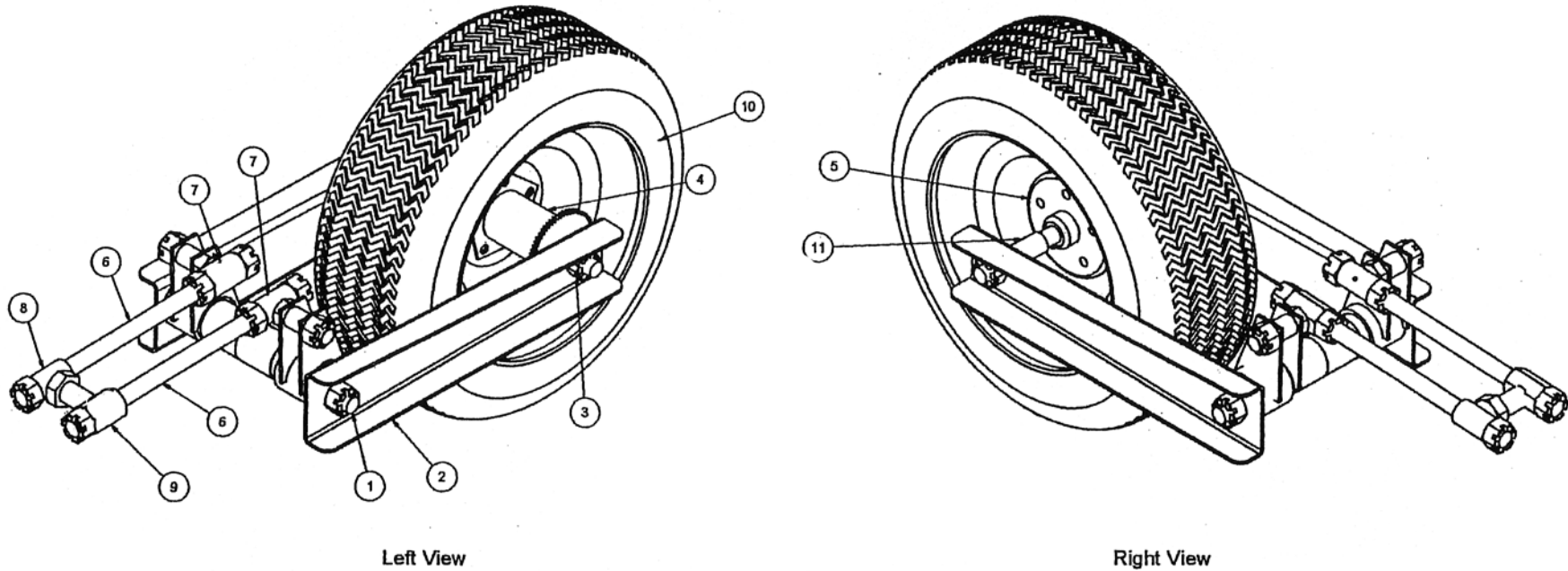
Parts List			
Item	Qty	Item #	Item Description
1	1	G7-102	Torpedo Tube w/Liner
2	1	G7-103	Knife
3	1	G7-104	Seeder Tube
4	1	G1-105	Torpedo Point

G7-200 Coulter Assembly



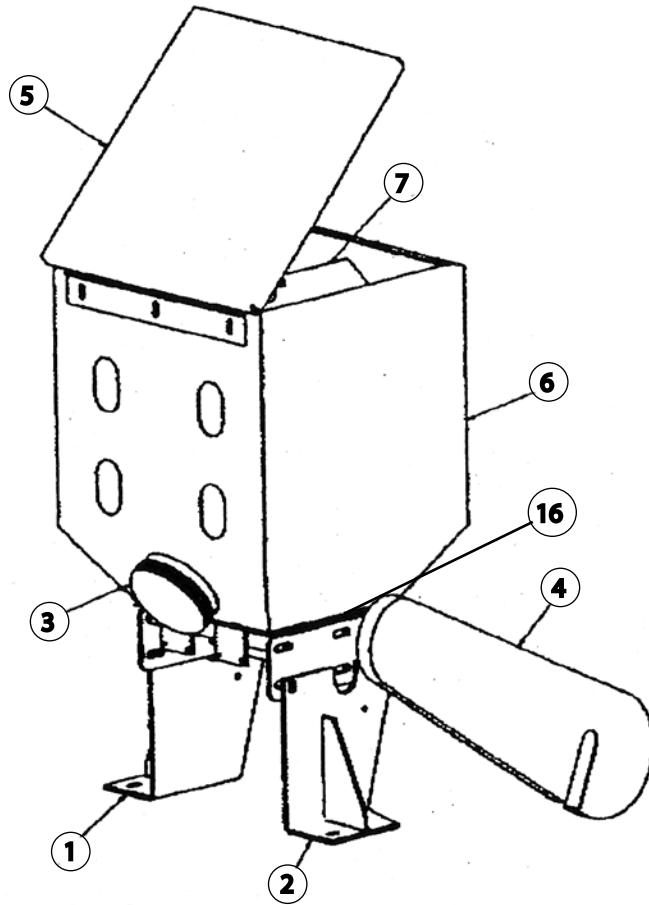
Parts List			
Item	Qty	Item #	Item Description
1	1	G7-203	Coulter Blade
2	1	G7-201	Single Arm Coulter Component Parts: G7-202 Coulter Clamp G7-201-15 Bearing Cap (call for additional parts)
3	1	G7-204	Straight Coulter Shank
4	2	G7-208	Coulter Shank Clamp

G7-300 Packer Wheel Assembly

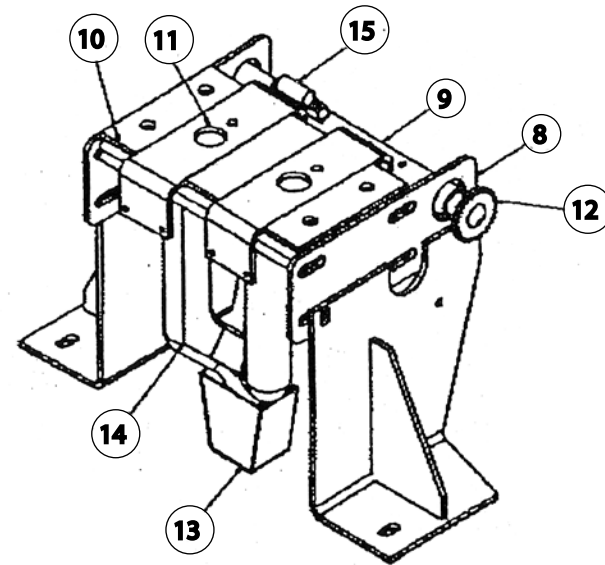


Parts List			
Item	Qty	Item #	Item Description
1	2	G7-304	Swing Arm & Packer Wheel Axle
2	1 each	G7-301	Packer Wheel Swing Arm, Left & Right
3	1	G7-310L	Packer Wheel Hub Spacer, Left
4	1	G7-314	Sprocket Assembly
5	1	G7-317	Bearing and Hub Assembly
6	2	G7-311	Packer Wheel Adjustment Rod
7	2	G7-312	Lift Arm Link
8	1	G7-309	Lift Arm Connecting Bolt Assembly
9	1	G7-308	Lift Arm Connecting Nut Assembly
10	1	G7-318	Tire & Wheel Assembly
11	1	G7-310R	Packer Wheel Hub Spacer, Right

G7-400 Seeder Assembly



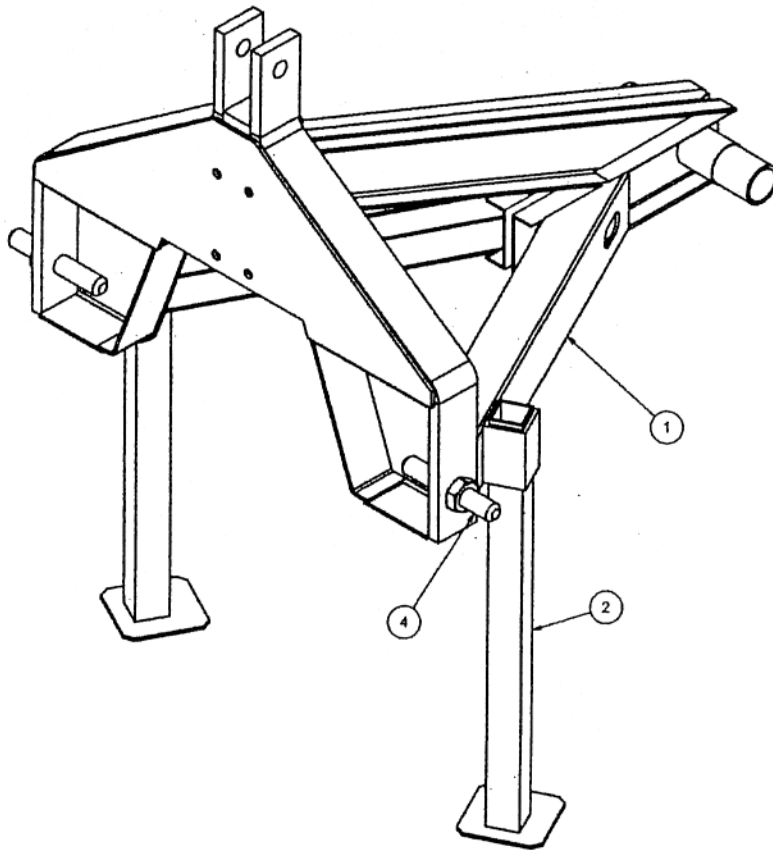
Parts List			
Item	Qty	Item #	Item Description
1	1	G7-417	Seeder Assem. Mtg. Brkt., Right
2	1	G7-417	Seeder Assem. Mtg. Brkt., Left
3	1	G7-425	Cap
4	1	G7-411	Chain Guard
5	1	G7-407	Bait Box Lid
6	1	Call	Bait Box Assembly
7	1	G7-406	Bait Box Divider
	1	G7-433	Seeder Box Spring



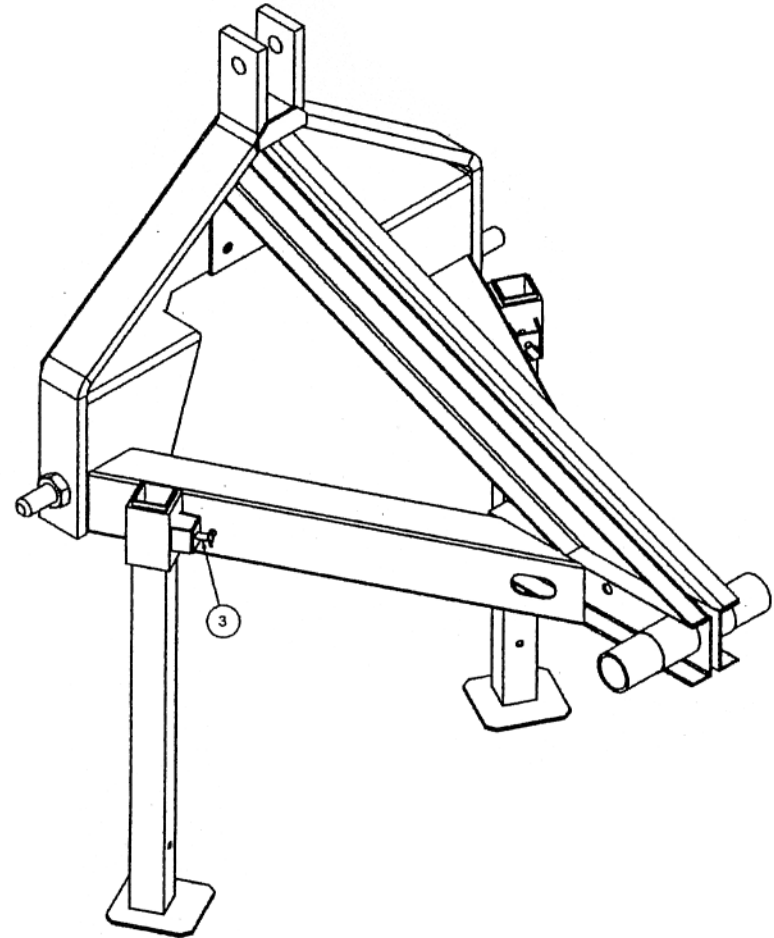
Assy w/o Bait Box

Parts List			
Item	Qty	Item #	Item Description
8	2	G7-416	Slide Adjustment Plate
9	1	G7-419	Drive Axle
10	1	G7-414	Seeder Assem Base
11	2	G7-413	Seeder Slide and Pin
12	1	G7-428	Drive Gear
13	1	G7-423	Seeder Tube Inlet Cap
14	2	G7-430	Hose
15	2	G7-418	Tripper
	2	G7-429	Seeder Slide Spring
16	2	G7-408A	Bait Spacer Plate

G7-500 Frame Assembly



Front View



Rear View

Parts List			
Item	Qty	Item #	Item Description
1	1	G7-500	Frame Assembly
2	2	G7-517	Leg Stand
3	2	G7-515	Leg Lock Pin
4	2	G7-520	3-point Pin