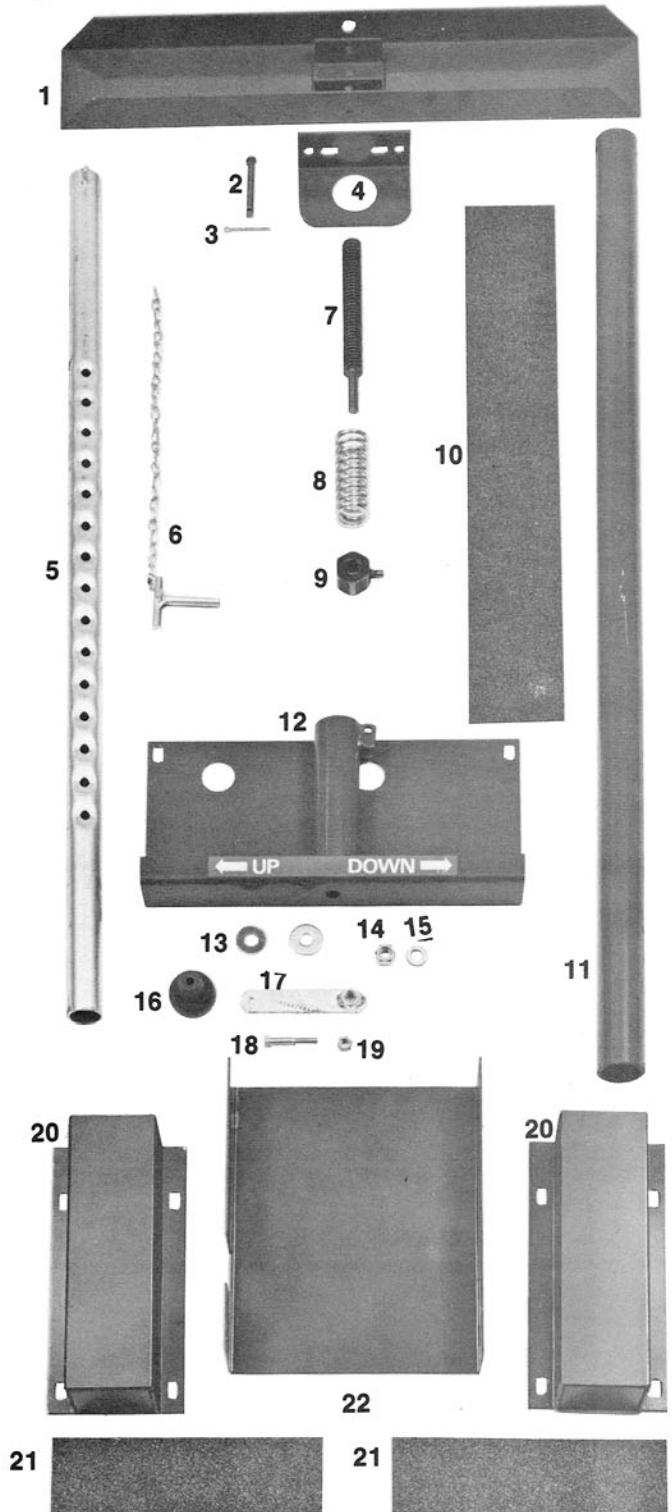





C-980A, C990B Adjustable Mount

Photo No.	No. Part No.	No. Used	Description
1	990-1	1	Top Plate w/Rubber Pad
2	990-10	1	Pin
3	990-11	1	Cotter Pin
4	990-5	1	Top Bracket
5	990-3	1	Inside Tube w/Holes
6	990-9	1	Pin & Chain
7	990-12	1	Acme Rod
8	990-13	1	Spring
9	990-20	1	Acme Nut w/Pin
10	990-2	1	Rubber Pad for Top Plate
11	990-4	1	Outside Tube
12	990-6	1	Lower Bracket
13	990-22	2	1/2" Flat Washer
14	990-24	1	1/2" Hex Nut
15	990-21	1	1/2" Lockwasher
16	990-18	1	Knob
17	990-16	1	Connect Plate
18	990-17	1	5/16" x 1" Bolt
19	990-19	1	5/16" Hex Nut
20	990-25	1	Handle & Knob Assy. (includes Nos. 16, 17, 18 & 19)
20	990-29	2	Bottom Plate w/Rubber Pad for C-990B (X-900 & CAT-900 Series Cargo Heaters)
21	990-27	2	Rubber Pad ONLY for 990-29
22	990-30	1	Bottom Plate w/Rubber Pad for C-980A (X-700 & CAT-700 Series Cargo Heaters)
	909-28	1	Rubber Pad ONLY for 990-30 (not shown)




ELSTON CARGO HEATERS
 Another quality product of:
ELSTON MANUFACTURING INC.
 706 N Weber
 Sioux Falls, SD 57103
 www.elstonmfg.com 1-800-845-1385