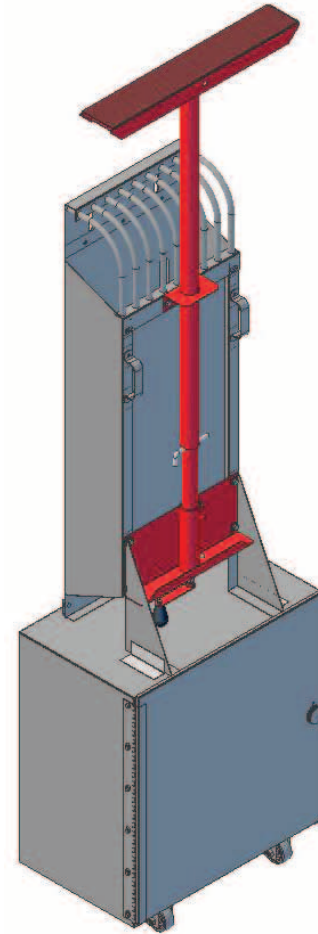
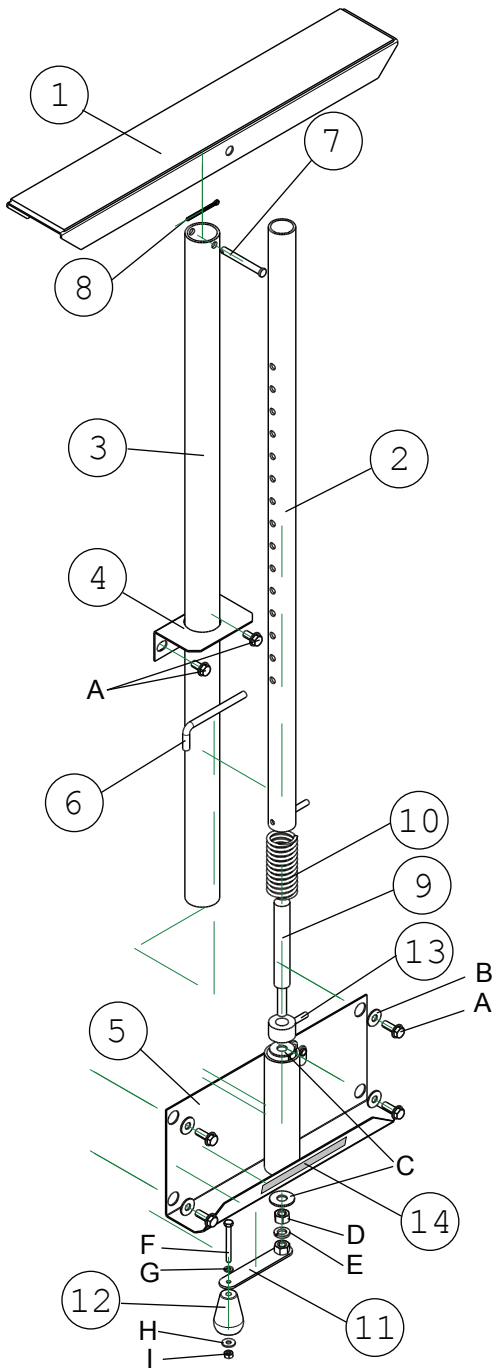


Parts List for Adjustable Mount

HC-980-A & HC-990-B
Adjustable Mount - Assembly



Label	Name	Qty
A	3/4" 3/8"-16 Flanged Hex Hd Bolt	6
B	3/8" Flat Washer	4
C	1/2" Flat Washer	2
D	1/2"-13 Hex Nut	1
E	1/2" Lock Washer	1
F	2 1/2" 1/4"-20 Hex Head Bolt	1
G	1/4" Lock Washer	1
H	1/4" Flat Washer	1
I	1/4"-20 Hex Nut	1

Label	Name	Part #
	Adjustable Mount Assy (700)	HC-980-A
	Adjustable Mount Assy (900)	HC-990-B
1	Top Plate w/ Rubber Pad	H990-01
-	Rubber Pad for Top Plate	H990-02
2	Inside Tube w/ Holes	H990-03
3	Outside Tube	H990-04
4	Top Bracket	H990-05
5	Lower Bracket	H990-06
6	Pin & Chain (Chain not shown)	H990-09
7	3/8" x 3" Clevis Pin	H990-10
8	Cotter Pin	H990-11
9	ACME Rod	H990-12
10	Spring	H990-13
11	Connect Plate	H990-16
12	Knob	H990-18
11,12,F-I	Handle & Knob Assembly	H990-25
13	ACME Nut w/ Pin	H990-31
14	Decal "Up - Down"	HD-04