

ELSTON

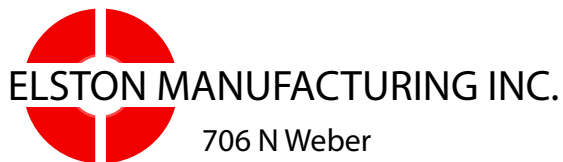
Heaters



Parts List for Universal (HC) Heater

Another Quality Product of:

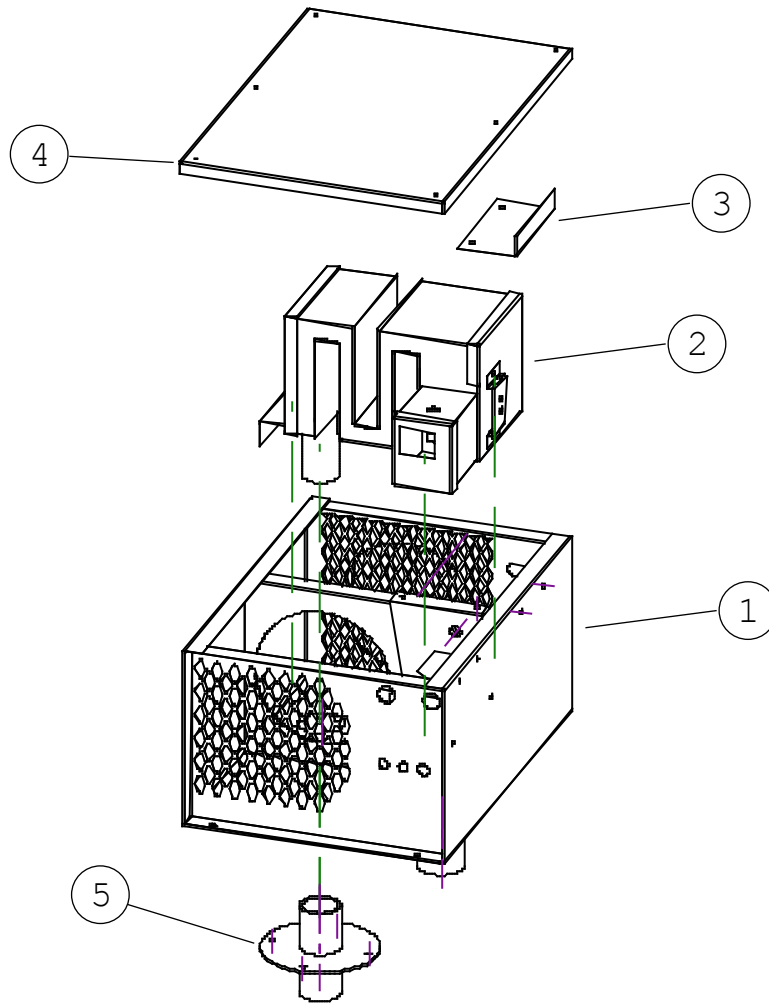
Please Contact Us for Parts and Service:



ELSTON MANUFACTURING INC.

706 N Weber
Sioux Falls, SD 57103
www.elstonmfg.com
1-800-845-1385

Form HC-P-RB
Printed 2007



Ref #	Name	Part #	Ref #	Description
1	Heater Shell	HC-100	N/A	1/2" #10-24 Machine Screw
2	Combustion Chamber	HC-200	N/A	1/2" #8-32 SS Machine Screw
3	Comb. Chamber Mounting Bracket	HC-109		
4	Heater Cover	HC-101		
5	Exhaust Coupling	HC-110		



Ref #	Name	Part #	Ref #	Name	Part #
1	Ignition Module w/Relay	HLC-918	5	Temperature Limit Switch	HC-414
	Wiring Harness (not shown)	HLC-919	6	6A Circuit Breaker	HC-409
2	Spark Electrode	HC-416	7	Red Indicator Light	HC-412
3	Gas Valve	HLC-229	8	Green Indicatory Light	HC-411
4	Sail Switch	HC-417	9	Toggle Switch	HC-401