

# ELSTON

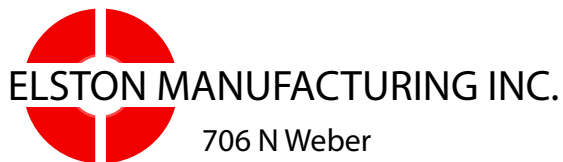
## Heaters



## Parts List for Universal (HC) Heater

Another Quality Product of:

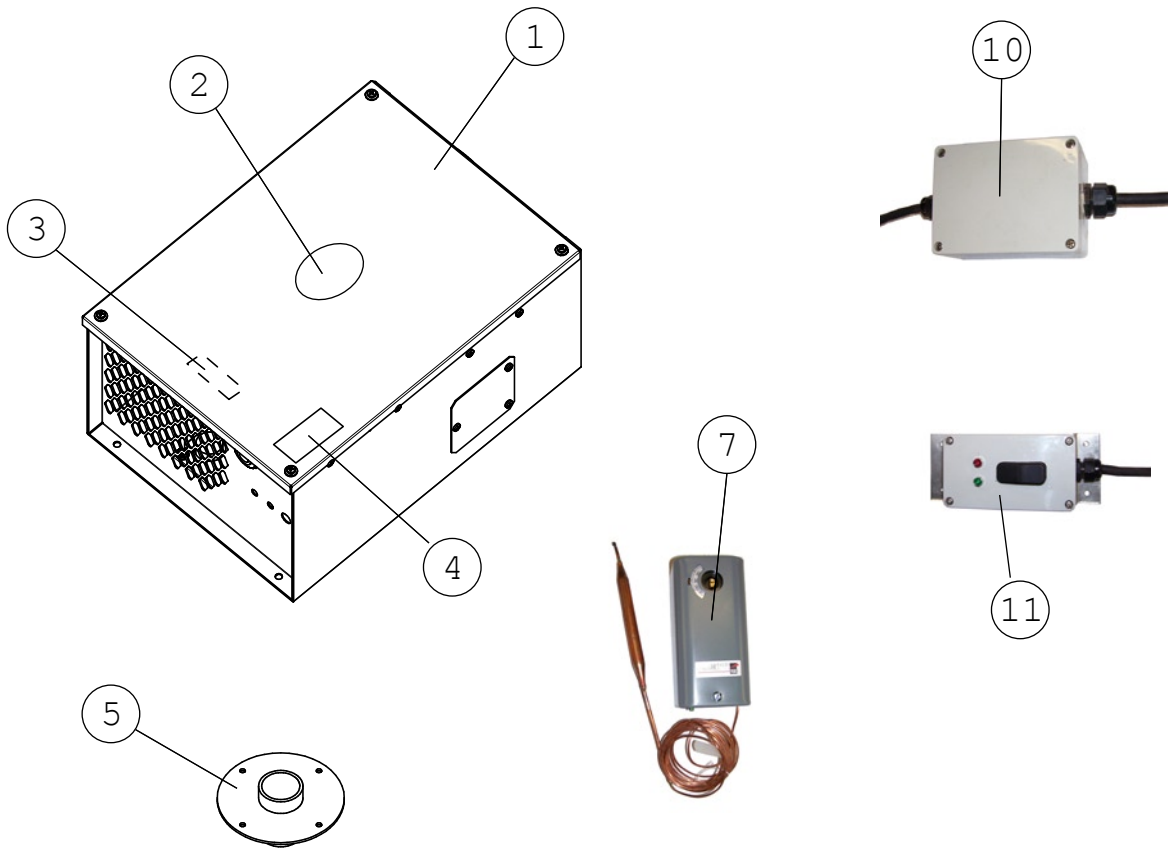
Please Contact Us for Parts and Service:



**ELSTON MANUFACTURING INC.**

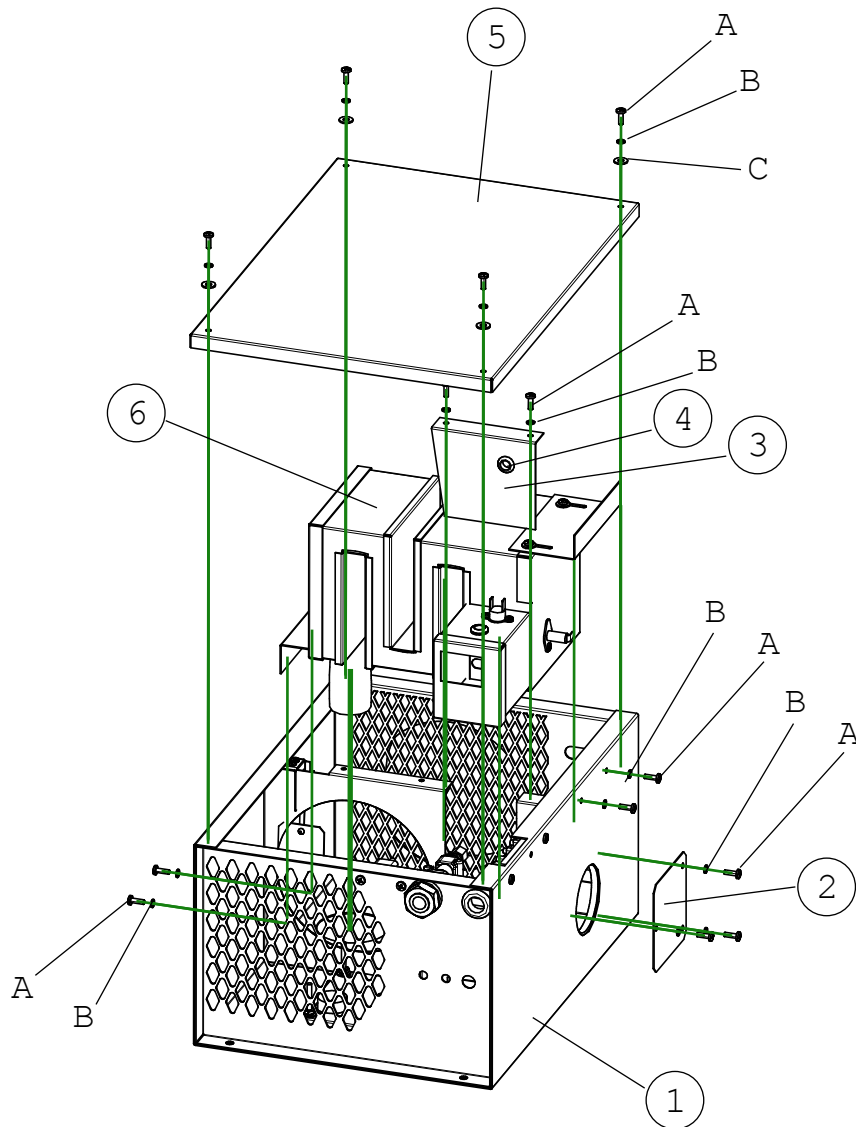
706 N Weber  
Sioux Falls, SD 57103  
[www.elstonmfg.com](http://www.elstonmfg.com)  
1-800-845-1385

Form HC-P-RC  
Printed 2007



Ref #	Name	Part #
1	Heater Body	see p A2
2	Product of Elston Decal	SD-02
3	Serial Number	HD-22
4	Decal - Voltage & Pressure Requirements	HD-23
5	Exhaust Coupling	HC-111
6	Gasket for HC-111 (not shown)	HC-112
7	Thermostat w/ Knob (replacement knob HLC-225-01)	HLC-225A
8	Owners Manual (not shown)	HD-27

Ref #	Name	Part #
9	Mounting Template (not shown)	HD-28
10	24V Converter Box	HC-500
11	Remote Box	HC-550
1-9	Universal Heater - 12VDC	H-C-1
1-10	Universal Heater - 24VDC	H-C-24
1-9,11	Universal Heater - 12VDC w/ Remote	H-C-1R

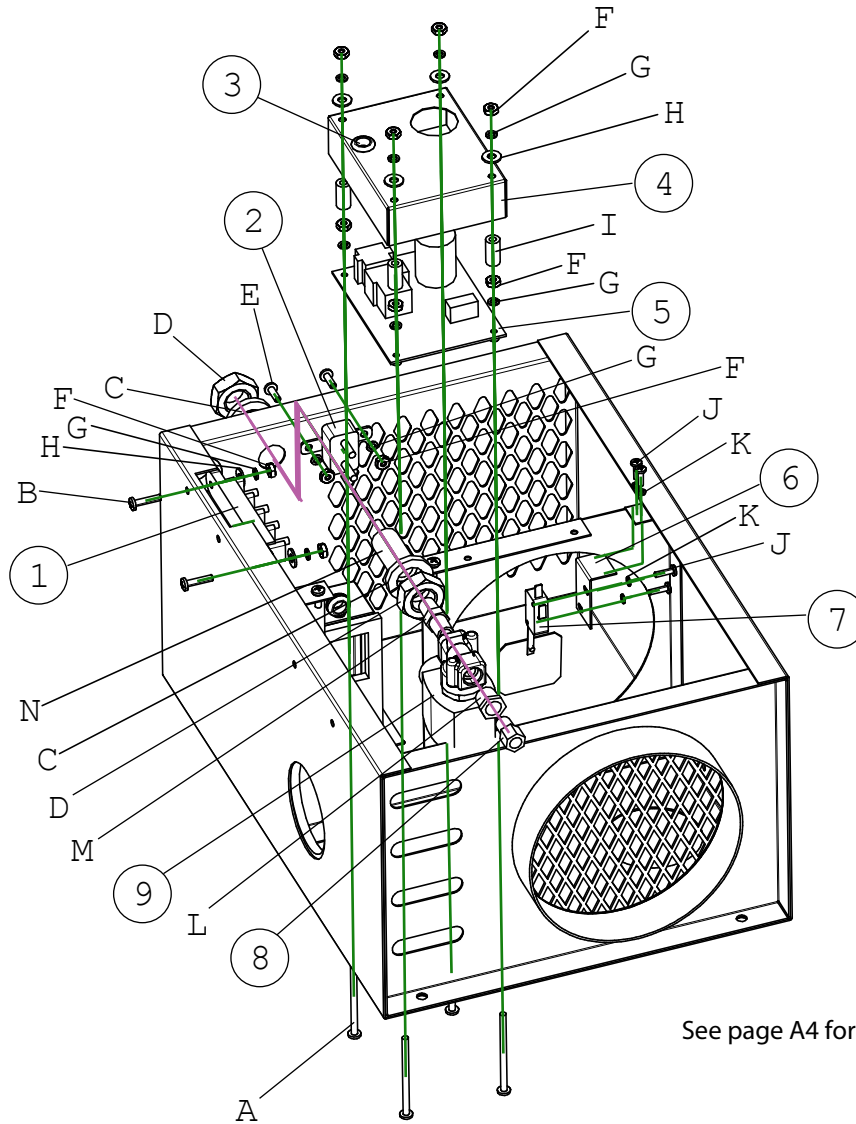


Ref #	Name	Part #
1	Heater Shell	HC-100
2	Spark Probe Access Panel	HC-1-05
3	Blower Slot Cover	HC-1-01
4	3/8" ID Grommet	HC-407
5	Heater Shell Cover	HC-101
6	Combustion Chamber Assembly	see p A4
7	Fan (not shown)	HC-405

Ref #	Description
A	1/2" #8-32 SS Machine Screw
B	#8 SS Lock Washer
C	#8 SS Flat Washer

See page A3 for electrical and propane related parts

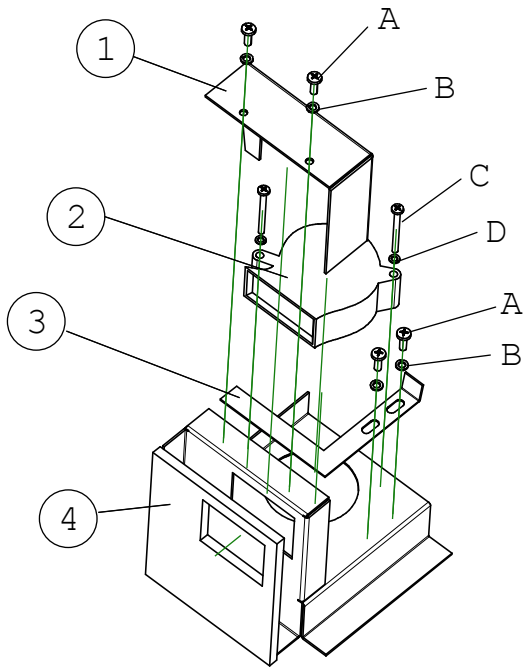
Use high temperature anti-seize compound on all screws attaching combustion chamber assembly



See page A4 for close up of blower inlet area

Ref #	Name	Part #	Ref #	Description
1	Terminal Block	HC-418	A	1 3/4" #8-32 SS Machine Screw
2	6A Circuit Breaker	HC-409	B	3/4" #8-32 SS Machine Screw
3	3/8" ID Grommet	HC-407	C	3/4" Lock Washer
4	Ignition Module Cover	HC-1-03	D	3/4"-16 Jam Nut
5	Ignition Module w/Relay	HLC-918	E	1/2" #8-32 SS Machine Screw
6	Sail Switch Mounting Bracket	HC-1-06	F	#8-32 SS Hex Nut
7	HC Sail Switch	HC-417	G	#8 SS Lock Washer
8	Extension Orifice	HC-413	H	#8 SS Flat Washer
9	Gas Valve	HLC-229	I	3/4" Plastic Standoff - 0.156" ID
10	Green Indicator Light (not shown)	HC-553	J	1/2" #6-32 SS Machine Screw
11	Red Indicator Light (not shown)	HC-554	K	#6 SS Lock Washer
12	Toggle Switch (not shown)	HLC-401	L	1/4" - 1/8" NPT Bushing
			M	1/4" NPT Hex Nipple
			N	1/4" NPT Coupling w/ 3/4"-16 Outside Threads

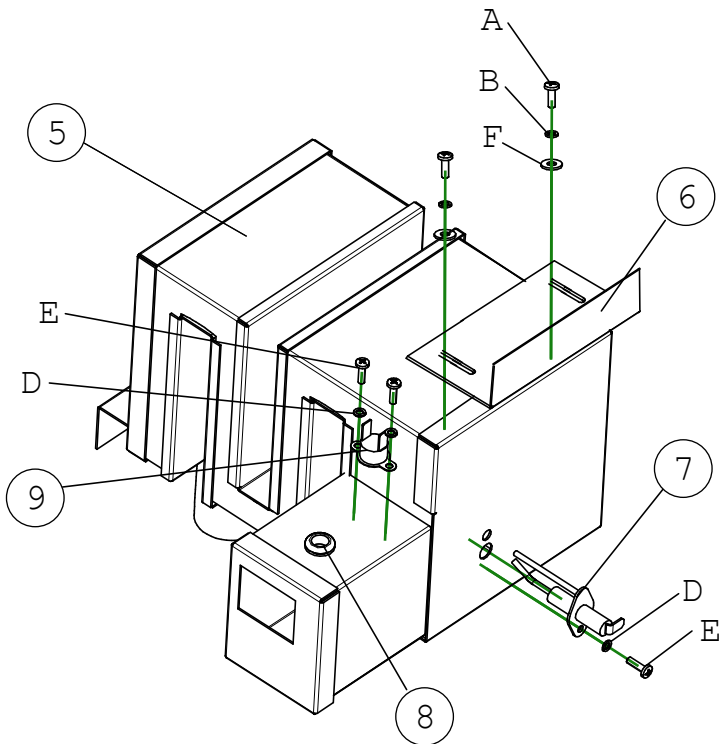
**Closeup of Blower Area**



Ref #	Name	Part #
1	Blower Inlet Cover	HC-1-02
2	Small Blower	HC-420
3	Air Adjustment Plate	HC-1-04
4	Combustion Chamber Inlet Gasket	HC-1-07

Ref #	Description
A	1/2" #8-32 SS Machine Screw
B	#8 SS Lock Washer
C	1 1/2" #6-32 SS Machine Screw
D	#6 SS Lock Washer


**Combustion Chamber Assembly**



Ref #	Name	Part #
5	Combustion Chamber	HC-200
6	Comb. Chamber Top Mounting Bracket	HC-420
7	HC Spark Probe	HC-416
8	3/8" ID Gasket	HLC-407
9	High Limit Switch	HC-414
5,7-9, D,E	Combustion Chamber Complete	HC-200C

Ref #	Description
E	1/2" #6-32 SS Machine Screw
F	#8 SS Flat Washer

Use high temperature anti-seize compound on all screws in combustion chamber assembly



**ELSTON MANUFACTURING INC.**  
706 N Weber  
Sioux Falls, SD 57103  
[www.elstonmfg.com](http://www.elstonmfg.com) 1-800-845-1385