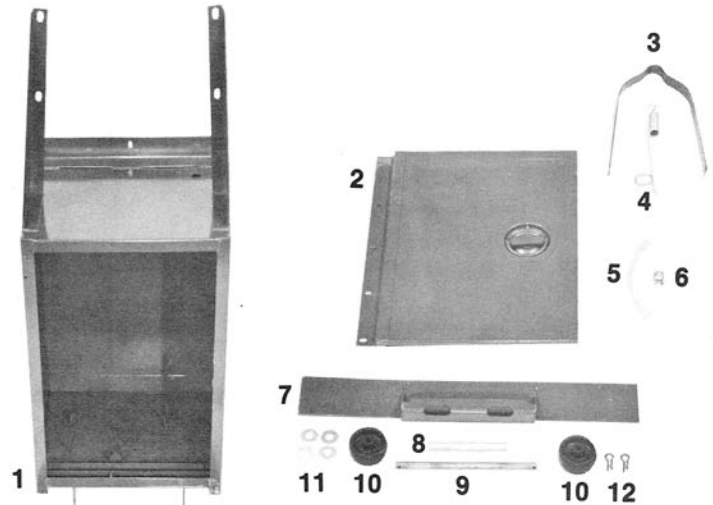




X-700

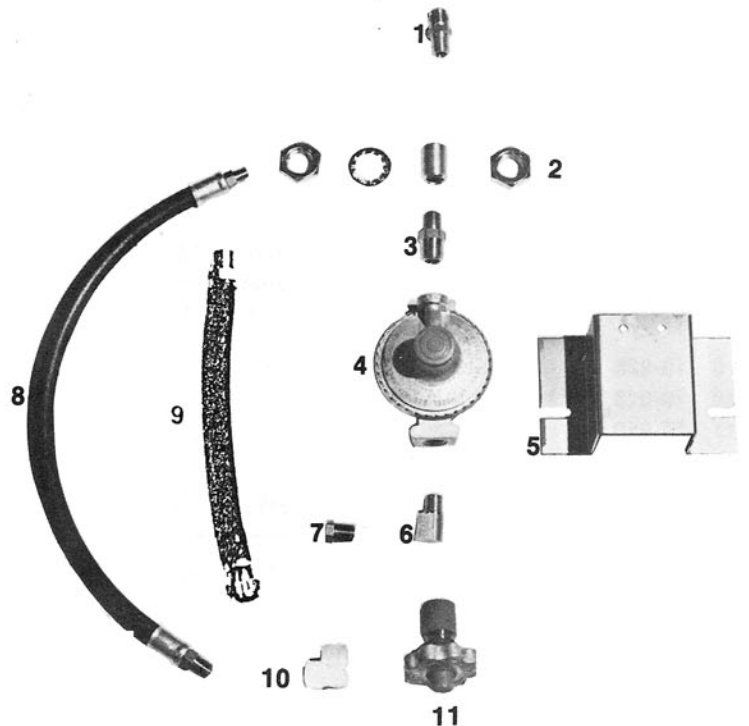
Cargo Heater Bottle Carrier Shell

Photo No.	Part No.	No. Used	Description
1	10-139	1	Bottom
2	10-138	1	Door w/Hinge, Seal & Latch
	10-477	1	Door Latch (shown on Door)
	10-150	1	Door Seal (not shown)
3	10-26	1	Hold Down Bracket
4	10-21	1	Hold Down Spring
5	10-137	1	½" x 7" Hose
6	10-136	1	½" Hose Clamp
7	10-135	1	Lower Wall Bracket
8	10-129	1	Spacer
9	10-128	1	Axle
10	10-130	2	Wheels
11	10-07	4	½" Flat Washer
12	10-132	2	Hairpin Clips



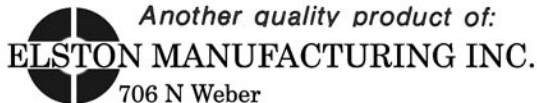
Regulator Assembly

Photo No.	Part No.	No. Used	Description
1	10-815	1	¼ M x ⅜ FL Fitting
2	10-212	1	Bulkhead Assy. (includes fitting, lockwasher and 2 nuts)
3	10-213	1	¼ M x ⅜ M Nipple
4	10-24	1	Single Regulator
5	10-480	1	Mounting Bracket for Single Regulator
6	10-141	1	¼" Street Ell
7	10-214	1	¼ M x ½ F Bushing
8	10-122	1	⅜ M x ¼ F Pigtail—18"
9	10-302	1	Hose Assembly
10	10-774	1	¼ F x ¼ F Elbow
11	10-826	1	P.O.L. Nut & Nipple Assembly



ELSTON CARGO HEATERS

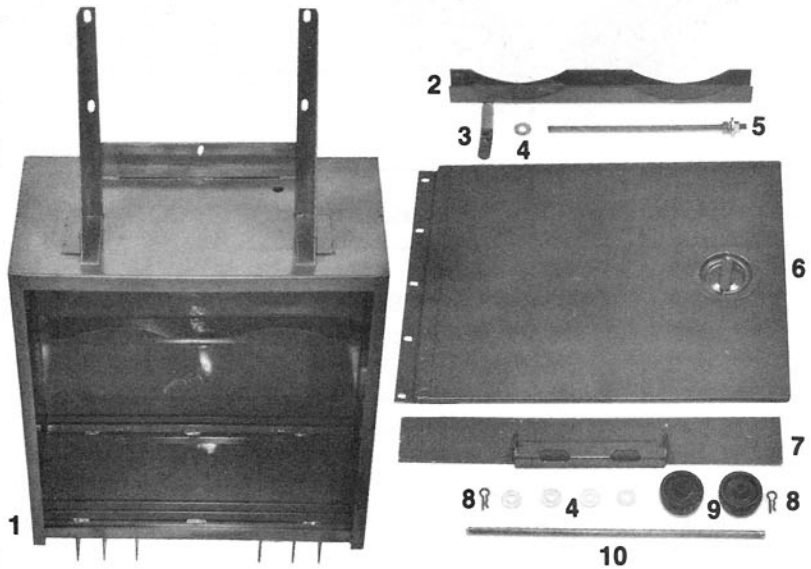
Another quality product of:



706 N Weber
Sioux Falls, SD 57103
www.elstonmfg.com 1-800-845-1385

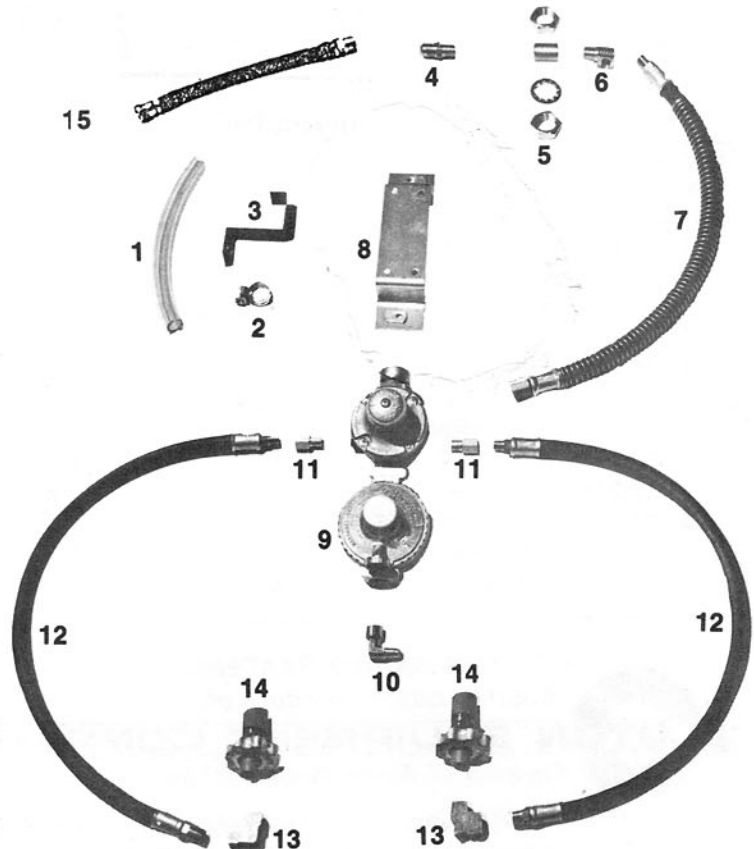
X-900 Cargo Heater Bottle Carrier Shell

Photo No.	Part No.	No. Used	Description
1	10-134	1	Bottom
2	10-817	1	Dual Bottle Hold Down Bracket
3	10-630	1	½" Butterfly Hold Down Nut
4	10-07	5	½" Flat Washers
5	10-820	1	½" Threaded Rod—15¼" (includes 2-½" nuts, 2-½" flat washers & 1-½" lockwasher)
6	10-565	1	Door w/Hinge, Seal & Latch
	10-477	1	Door Latch (shown on Door)
	10-148	1	Door Seal (not shown)
7	10-135	1	Lower Wall Bracket
8	10-132	2	Hairpin Clips
9	10-130	2	Wheels
10	10-240	1	Axle



Regulator Assembly

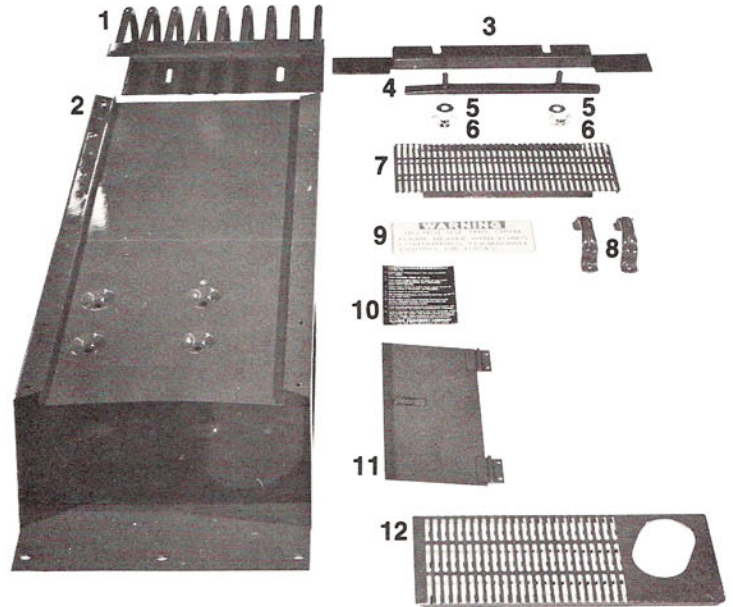
Photo No.	Part No.	No. Used	Description
1	10-137	1	½" x 7" Hose
2	10-136	1	½" Hose Clamp
3	10-490	1	Hose Bracket
4	10-815	1	¼ M x ⅜ FL
5	10-212	1	Bulkhead Assy. (includes fitting, lockwasher and 2 nuts)
6	10-141	1	¼ Street Ell
7	10-306	1	Protected Lower Hose Assy.
8	10-482	1	Mounting Bracket for Dual Regulator
9	10-625	1	Dual Regulator
10	10-816	1	⅜ M x ¼ FL Elbow
11	10-610	2	Fisher Adaptors
12	10-123	2	⅜ M x ¼ F Pigtail—25"
13	10-774	2	¼ F x ¼ F Elbow
14	10-826	2	P.O.L. Nut & Nipple Assembly
15	10-301	1	Hose Assembly





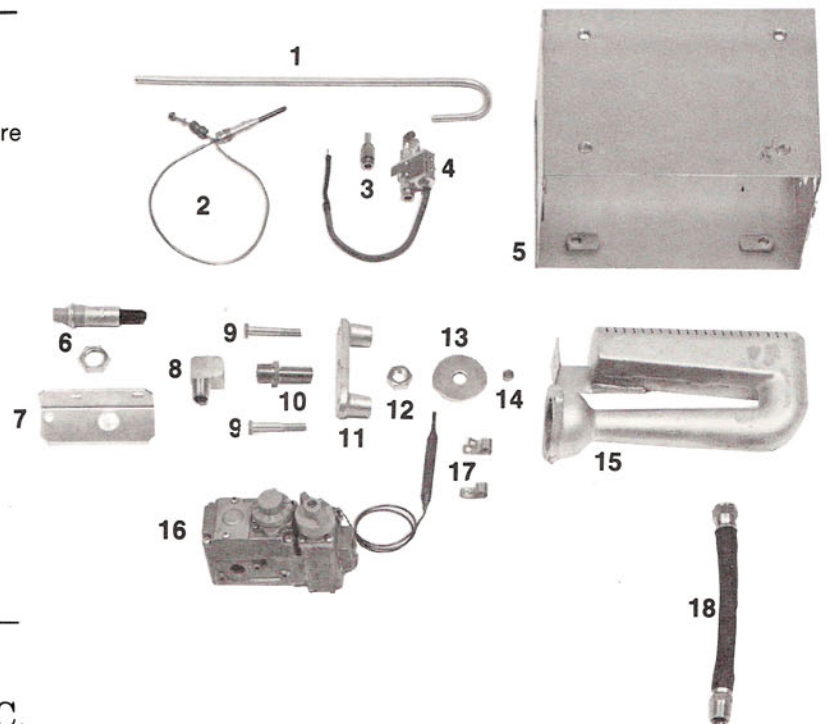
X-700 and X-900 Cargo Heaters Heater Shell

Photo No.	Part No.	No. Used	Description
1	10-690	1	Top Guard
2	10-685	1	Heater Body
3	10-162	1	Upper Wall Bracket
4	10-104	1	Heater to Wall Bracket
5	10-07	2	1/2" Flat Washer
6	500-3	2	1/2" Wing Nut
7	10-757	1	Upper Screen
8	10-470	2	Handles
9	E-4	1	Label—"Warning, DO NOT use ...With Flammable Liquids & Gases"
10	E-11	1	Label—Operating Instructions
11	10-111	1	Door w/Hinges & Latch
	10-110	1	Hartwell Latch (shown on door)
12	10-758	1	Lower Screen



Burner Assembly

Photo No.	Part No.	No. Used	Description
1	10-39	1	1/4" Aluminum Tube—14"
2	500-13	1	Pilot Thermocouple
3	10-696	1	Pilot Orifice
4	10-705	1	Pilot Light w/Spark Probe & Wire
5	10-691	1	Burner Housing
6	100-13	1	Spark Igniter w/Nut
7	10-703	1	Mounting Bracket for Spark Igniter
8	10-49	1	3/8 Street Ell
9	10-45	2	1/4 x 1 3/4" Cap Screw
10	10-48	1	Orifice Holder—Brass
11	10-44	1	Orifice Holder Bracket
12	10-43	1	1/2 x 20 Jam Nut
13	10-42	1	Air Adjustment Disc
14	10-41	1	Orifice
15	500-10	1	Burner
16	10-500	1	Control—7000 SLC
17	10-52	2	Tinnerman Clips
18	10-301	1	Hose Assembly



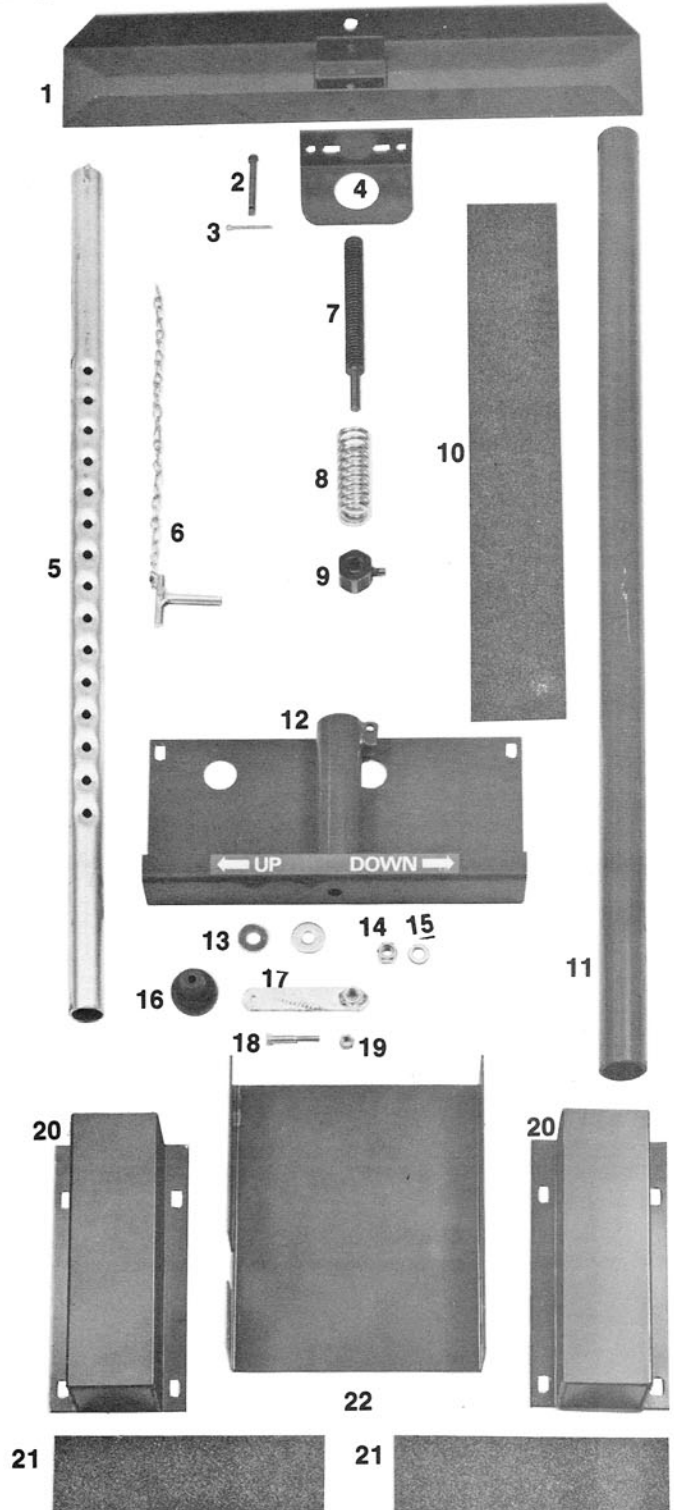
ELSTON CARGO HEATERS
Another quality product of:
ELSTON MANUFACTURING INC.

706 N Weber
Sioux Falls, SD 57103
www.elstonmfg.com 1-800-845-1385



C-980A, C990B Adjustable Mount

Photo No.	No. Part No.	No. Used	Description
1	990-1	1	Top Plate w/Rubber Pad
2	990-10	1	Pin
3	990-11	1	Cotter Pin
4	990-5	1	Top Bracket
5	990-3	1	Inside Tube w/Holes
6	990-9	1	Pin & Chain
7	990-12	1	Acme Rod
8	990-13	1	Spring
9	990-20	1	Acme Nut w/Pin
10	990-2	1	Rubber Pad for Top Plate
11	990-4	1	Outside Tube
12	990-6	1	Lower Bracket
13	990-22	2	1/2" Flat Washer
14	990-24	1	1/2" Hex Nut
15	990-21	1	1/2" Lockwasher
16	990-18	1	Knob
17	990-16	1	Connect Plate
18	990-17	1	5/16" x 1" Bolt
19	990-19	1	5/16" Hex Nut
20	990-25	1	Handle & Knob Assy. (includes Nos. 16, 17, 18 & 19)
20	990-29	2	Bottom Plate w/Rubber Pad for C-990B (X-900 & CAT-900 Series Cargo Heaters)
21	990-27	2	Rubber Pad ONLY for 990-29
22	990-30	1	Bottom Plate w/Rubber Pad for C-980A (X-700 & CAT-700 Series Cargo Heaters)
	909-28	1	Rubber Pad ONLY for 990-30 (not shown)




ELSTON CARGO HEATERS
 Another quality product of:
ELSTON MANUFACTURING INC.
 706 N Weber
 Sioux Falls, SD 57103
 www.elstonmfg.com 1-800-845-1385