

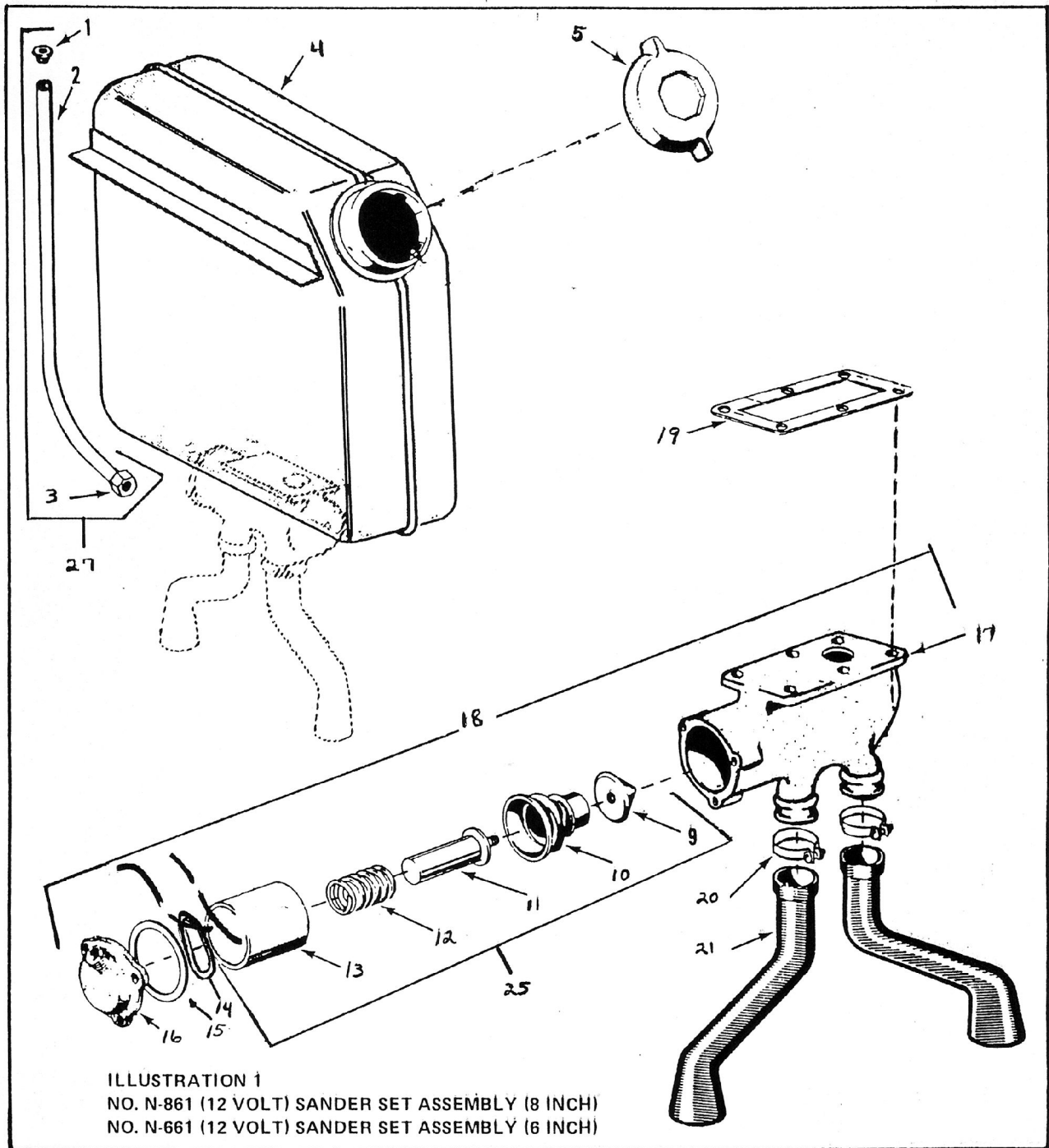
Dust Sander
B-200 - SIDEFILL

B-200 SANDER

ITEM	DESCRIPTION	QUANTITY	PART NO.
* 1	COMPLETE B-200 SANDER (ITEMS #1 - #27)	1	B-200
* 2	GROMMET - 2 HOLE	2	S150-8
* 3	CONDUIT TUBE - 15.5 "	2	SP-07
* 4	FLARE NUT	2	S53-122
* 5	GRIT TANK ASSEMBLY	2	B200T
* 6	COVER ASSEMBLY (ITEM #6)	2	S4-53-02
* 7	DECAL (NOT PICTURED)	2	S4-53-03
* 8	SWITCH-LOW GRIT INDICATED (NOT PICTURED)	1	SE-08
* 9	DASH LIGHT - LOW GRIT INDICATOR (NOT PICTURED)	1	SE-28
* 10	CONE ASSEMBLY	2	S15-85
* 11	BELLOWS	2	S161-2
* 12	ARMATURE - LONG	2	S197-6
* 13	SPRING - COMPRESSION	2	S24-62
* 14	SOLENOID ASSEMBLY - (12 VOLT)	2	S40085-501
* 15	GASKET	2	S4-41G
* 16	GASKET - CAP FOR OPERATING UNIT	2	S16-87
* 17	CAP - SOLENOID OPENING	2	S4-41B
* 18	BODY VALVE	2	S40059
* 19	OPERATING UNIT ASSEMBLY 12 VOLT (ITEMS #9 THRU #17)	2	S40084-501
* 20	GASKET - VALVE BODY	2	S16-88
* 21	CLAMP BOOT	4	S83-97
* 22	BOOT ONLY	4	S124-6
* 23	SWITCH & BRACKET ASSEMBLY (ITEMS#22 & #23) (NOT PICTURE)	1	S40130-03
* 24	SWITCH MOUNTING BRACKET (NOT PICTURED)	1	S40130-02
* 25	VALVE GUARD (NOT PICTURED)	2	SP-02
* 26	SOLENOID & VALVE ASSEMBLY 12 VOLT (ITEMS #9 THRU #13)	2	S40141
* 27	REPLACED WITH PART# S40130-03	2	S40130
	CONDUIT & NUT ASSEMBLY (ITEMS #1, #2, #3)	2	S55-111

*PARTS USED IN ASSEMBLY

FOR B-200 PARTS DIAGRAM PLEASE REFER TO N-661 & N-861 DIAGRAM



ORDERING SANDER SOLENOID COILS

All sanders contain 12-volt coils. All 12-volt coils are marked on the coil case.

- Check the original coil to determine the proper voltage and part number. Both coils in a common installation must be wound for the same voltage.
- Check the wiring:
 - a. If connected in parallel, the coil voltage will be the same as the battery voltage.
 - b. If connected in series, the coil voltage will be the same as the battery voltage.
- Don't use 12-volt coils in 6-volt systems or mix coils wound for different voltages.