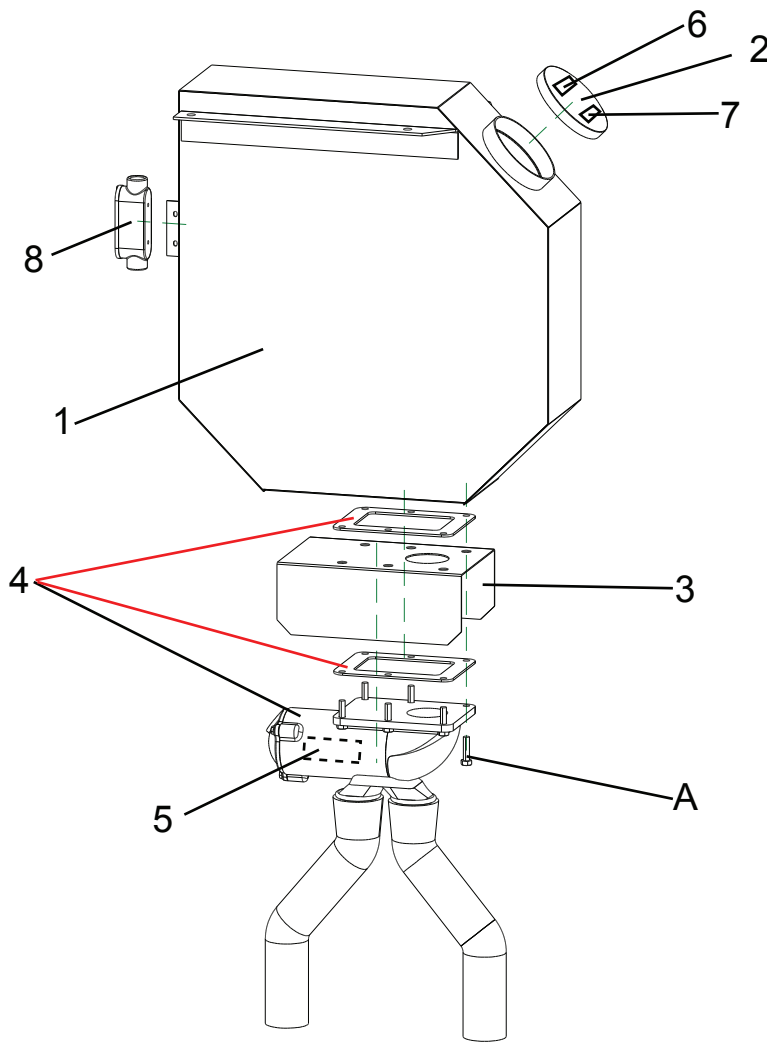


Parts List for Traction Sanders

661 Series Sander Assembly



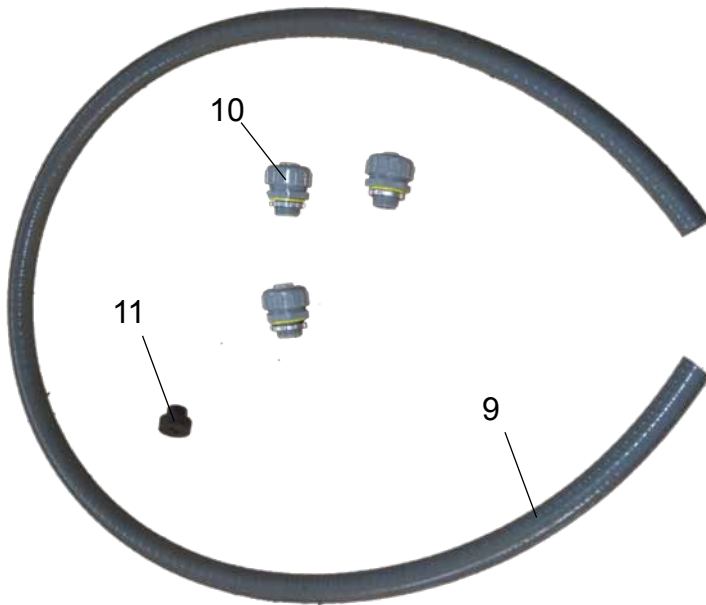
| Ref #           | Name                                   | Part #      | Ref #     | Name                                       | Part #  |
|-----------------|--|-------------|-----------|--|---------|
| 1               | Powder Coated Steel Sander Tank        | SN661T      | 5         | Serial Number Decal (Inside Casting)       |         |
| 2               | Tank Cap w/ Retaining Lanyard          | S4-53-04    | 6         | Elston Logo Decal                          | SD-03   |
| 3               | Powder Coated Steel Valve Guard        | SP-02B      | 7         | Grit Decal                                 | SD-04   |
| 4               | Operating Unit Area (includes gaskets) | see page A6 | 8         | Straight Conduit Junction                  | S150-11 |
|                 |  |             | 1-14 (x2) | Set of Series 661 Sanders                  | S-N661  |
| <b>Hardware</b> |  |             |           |  |         |
|                 | A                                      |             |           | 5/16"-18 x 1 1/4" Serrated Hex Flange Bolt |         |

Add a C to the SN661T and S-N661 for custom colors.

see page A3 for additional parts

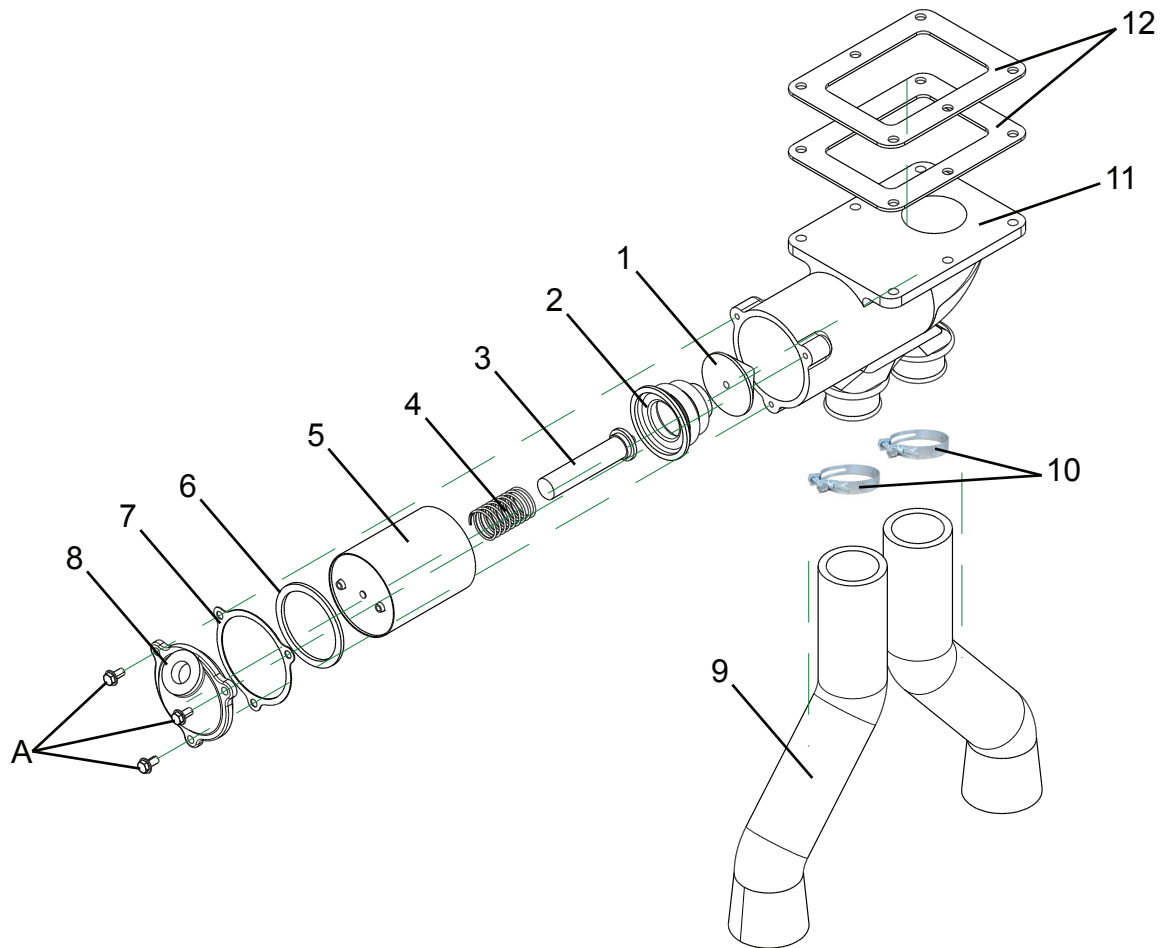
Parts List for Traction Sanders

Additional Parts for Sander Assembly



| Ref # | Name                                      | Part #       |
|-------|---|--------------|
| 9     | 6 ft flexible nonmetallic conduit         | S150-10      |
| 10    | Straight thru watertight conduit fittings | S150-14 (x3) |
| 11    | Conduit Grommet                           | S150-8       |

| Ref # | Name                     | Part # |
|-------|--------------------------|--------|
| 12    | Fuse Holder w/20A Fuse   | SE-11  |
| 13    | 30ft 12 ga. Wire - Black | SE-12  |
| 14    | Switch - Truck Style     | S40135 |



| Ref # | Name                    | Part #     |
|-------|-------------------------|------------|
| 1     | Cone Assembly           | S15-85     |
| 2     | Bellows                 | S161-2     |
| 3     | Armature                | S197-6     |
| 4     | Compression Spring      | S24-62     |
| 5     | Solenoid - 12 V         | S40085-501 |
| 6     | Solenoid Gasket         | S4-41G     |
| 7     | Gasket for Cap          | S16-87     |
| 8     | Cap - Solenoid Opening* | S4-41B     |
| 9     | Boot                    | S124-6     |
| 10    | Clamp for Boot          | S83-97     |

\* Use S4-41C for units on quarterfender sanders with metal conduit

| Ref #  | Name  | Part #     |
|--------|---|------------|
| 11     | Valve Body  | S40059     |
| 12     | Gasket - Valve Body<br>(one installed above SP-02 guard<br>and one installed below) | S16-88     |
| 1-5    | Solenoid & Valve Assy.  | S40141     |
| 1-8,11 | Operating Unit  | S40084-501 |

**Hardware**

A 1/4"-20 x 3/4" Serrated Hex Flange Bolt

All hardware listed is coarse thread (UNC) and Grade 5 or better unless otherwise noted.