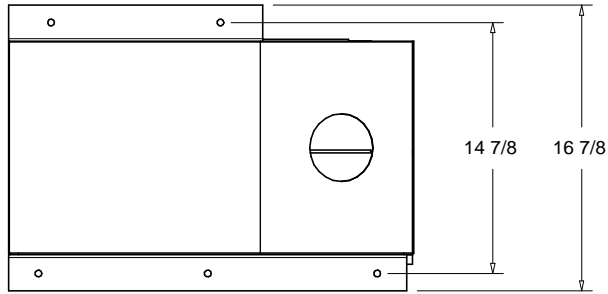
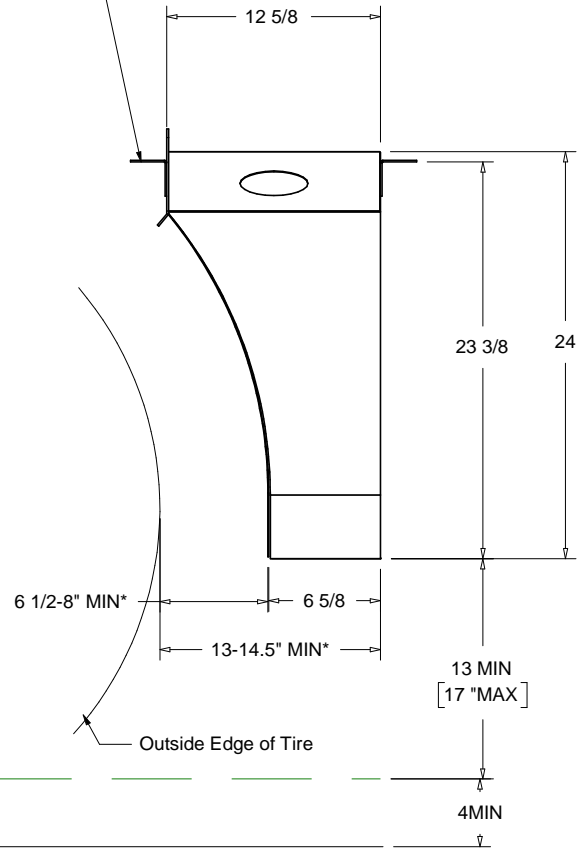
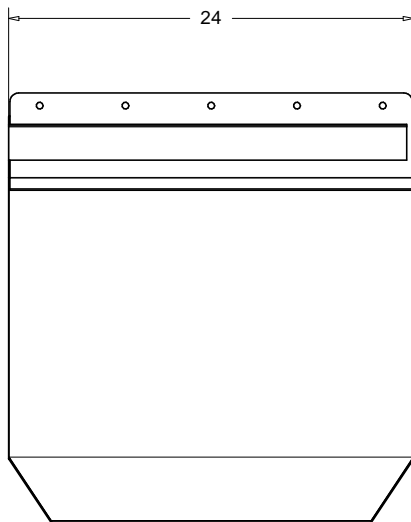


Dimensions of Quarterfender Sanders



If mounting bars/brackets are more than a 1/2" closer to tire than the hopper of the sander, the minimum sander to tire distances below do not apply.



* Minimum distance depends on minimum height of the frame rail from loading and suspension travel compared to the height of the frame rail when the sander was mounted. If you are mounting the sander near the minimum distances please call for additional information.