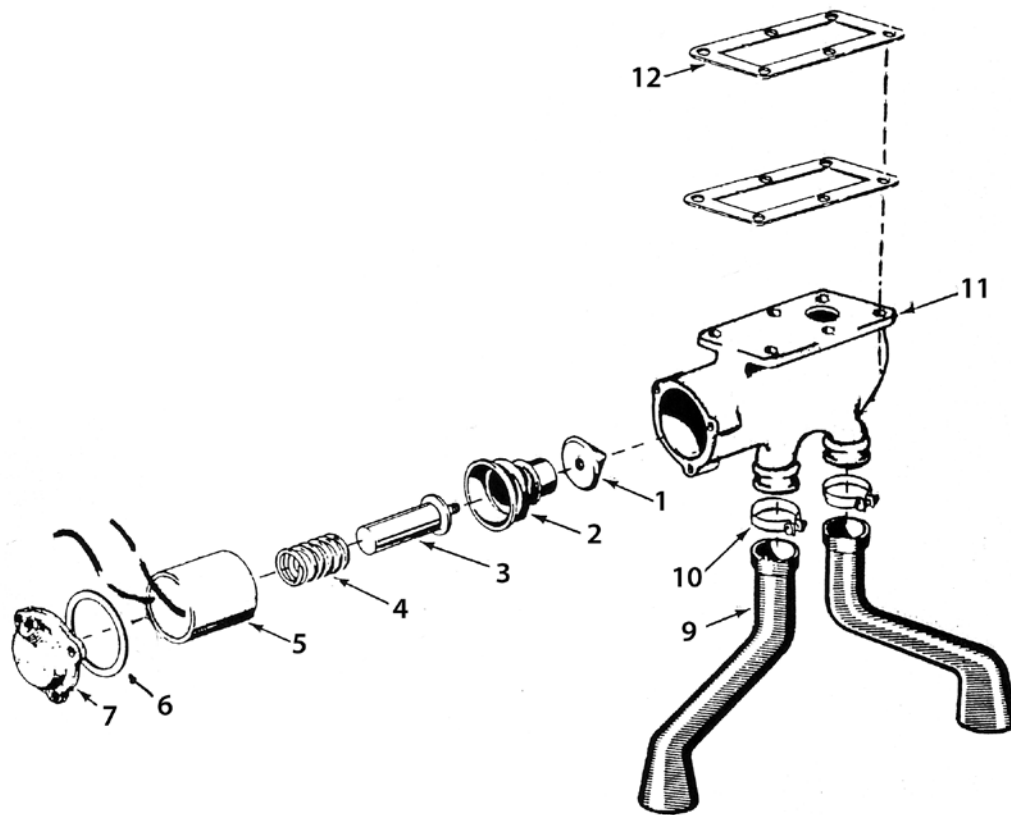


Ref #	Name	Part #
1	Left Hand Sander Tank Powder Coated Steel Aluminum	S-N100TL S-A100TL
2	Right Hand Sander Tank Powder Coated Steel Aluminum	S-N100TR S-A100TR
3	Tank Cap w/ Retaining Lanyard*	S4-53-04
4	Valve Guard Powder Coated Steel Aluminum	SP-02B SP-02A
5	Operating Unit Area (includes gaskets)	see page A4

Ref #	Name	Part #
6	Conduit	SP-11
7	Two Hole Grommet	S150-8
8	Fuse Holder w/20A Fuse	SE-11
9	30ft 12 ga. Wire - Black	SE-12
10	Switch - Truck Style	S40135
1-10	Sander w/ Black Steel Tanks Aluminum Tanks	S-N100 S-A100

Representative tank shown. Tank will differ depending on style chosen.



Ref #	Name	Part #	Ref #	Name	Part #
1	Cone Assembly	S15-85	11	Valve Body	S40059
2	Bellows	S161-2	12	Gasket - Valve Body (one installed above SP-02 guard and one installed below)	S16-88
3	Armature	S197-6	1-5	Solenoid & Valve Assy.	S40141
4	Compression Spring	S24-62	1-8,11	Operating Unit	S40084-501
5	Solenoid - 12 V	S40085-501			
6	Solenoid Gasket	S4-41G			
7	Cap - Solenoid Opening	S4-41B			
8	Gasket for Cap (Not Shown)	S16-87			
9	Boot	S124-6			
10	Clamp for Boot	S83-97			

All hardware listed is coarse thread (UNC) and Grade 5 or better unless otherwise noted.