

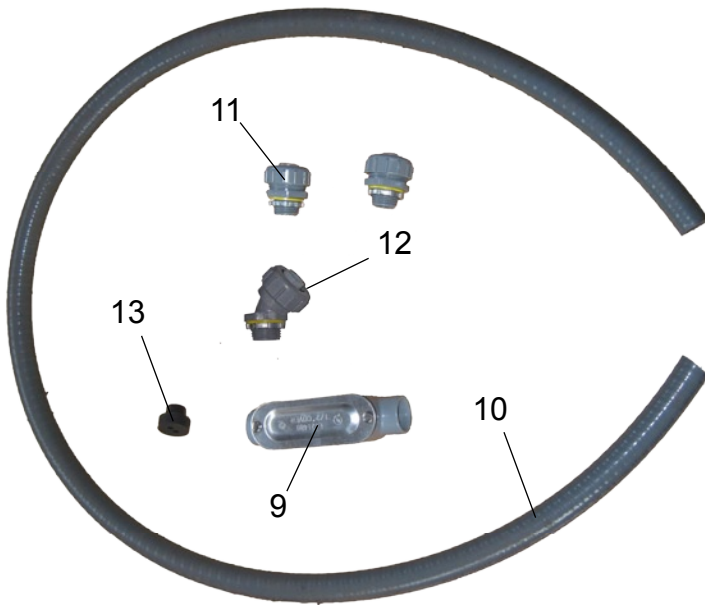
Ref #	Name	Part #	Ref #	Name	Part #
1	Left Hand Sander Tank Powder Coated Steel Aluminum	S-N100TL S-A100TL	6	Serial Number (inside casting)	
2	Right Hand Sander Tank Powder Coated Steel Aluminum	S-N100TR S-A100TR	7	Elston Logo Decal	SD-03
3	Tank Cap w/ Retaining Lanyard	S4-53-04	8	Grit Decal	SD-04
4	Valve Guard Powder Coated Steel Aluminum	SP-02B SP-02A	1,2- 3-16 (x2)	Sander w/ Black Steel Tanks Aluminum Tanks	S-N100 S-A100
5	Operating Unit Area (includes gaskets)	see page A6			

Add a C to the tank and sander part numbers for custom colors.

see page A5 for additional parts

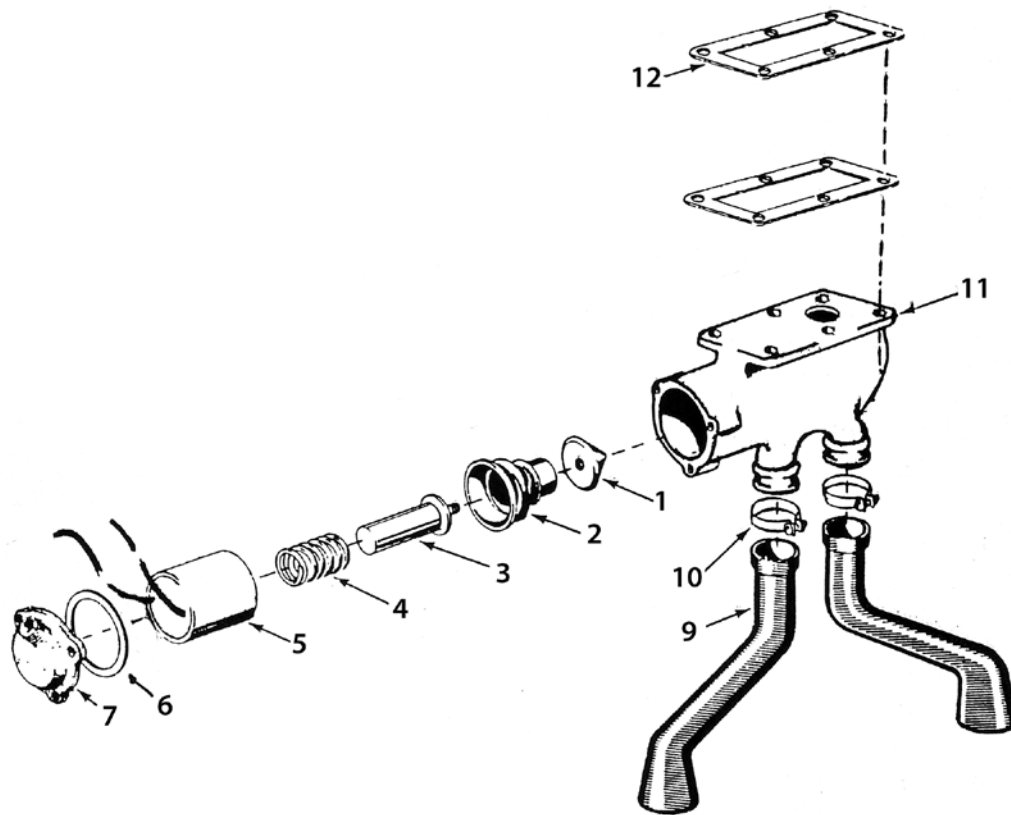
Parts List for Traction Sanders

Additional Parts for Sander Assembly



Ref #	Name	Part #
9	Straight Conduit Junction	S150-11
10	6 ft flexible nonmetallic conduit	S150-10
11	Straight thru watertight conduit fittings	S150-14 (x2)
12	45 deg watertight conduit fitting	S150-20
13	Conduit Grommet	S150-8

Ref #	Name	Part #
14	Fuse Holder w/20A Fuse	SE-11
15	30ft 12 ga. Wire - Black	SE-12
16	Switch - Truck Style	S40135



Ref #	Name	Part #	Ref #	Name	Part #
1	Cone Assembly	S15-85	11	Valve Body	S40059
2	Bellows	S161-2	12	Gasket - Valve Body (one installed above SP-02 guard and one installed below)	S16-88
3	Armature	S197-6	1-5	Solenoid & Valve Assy.	S40141
4	Compression Spring	S24-62	1-8,11	Operating Unit	S40084-501
5	Solenoid - 12 V	S40085-501			
6	Solenoid Gasket	S4-41G			
7	Cap - Solenoid Opening	S4-41B			
8	Gasket for Cap (Not Shown)	S16-87			
9	Boot	S124-6			
10	Clamp for Boot	S83-97			

All hardware listed is coarse thread (UNC) and Grade 5 or better unless otherwise noted.